



Code: RAWDIN
Name: DIN rail fan with 45°C temperature sensor
v1.0

EN*



Edition:1 from 14.09.2015
Supersedes the edition: -----

1. Application:

The fan is designed for mounting on DIN rail in the AWO612PW, AWO613PW, AWO614PW, AWO622PW, AWO623PW and AWO624PW enclosures. It is fitted with a built-in temperature sensor which activates the fan once the temperature exceeds 45 ° C. The fan design allows you to adjust the position of the fan, see Figure 1 (this allows for installation in enclosures with different depths).

2. Technical parameters

Power supply	220 ÷ 240VAC ,50Hz
Current consumption	0.08A
Power consumption	16W max.
Revolutions per minute (PRM)	2300 rev/min
Air flow	21CMF 0.59 m³/min
Short-circuit protection	T 200mA
Fan temperature switch	45 °C
Finish:	- Fan: aluminum alloy, ball bearing, fan shroud - fan mounting: DIN-PKAZ107 rail
Application	Indoor
Notes	- fan mounted directly on the DIN rail
External dimensions	110 x 115 x min 85, max 135 [mm] (WxHxD)
Net/gross weight	0.50kg / 0.54kg
Declarations, warranties	CE, 2 years from the production date

3. Mounting:

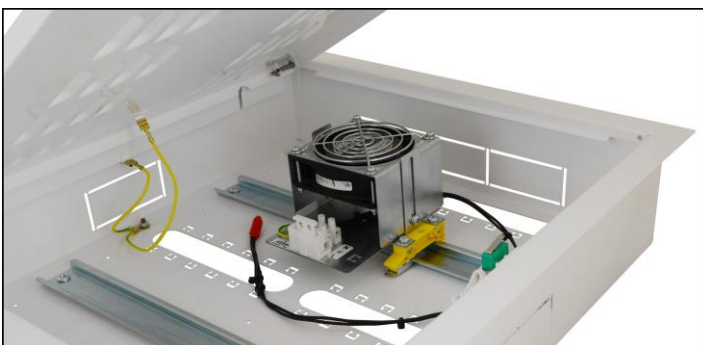
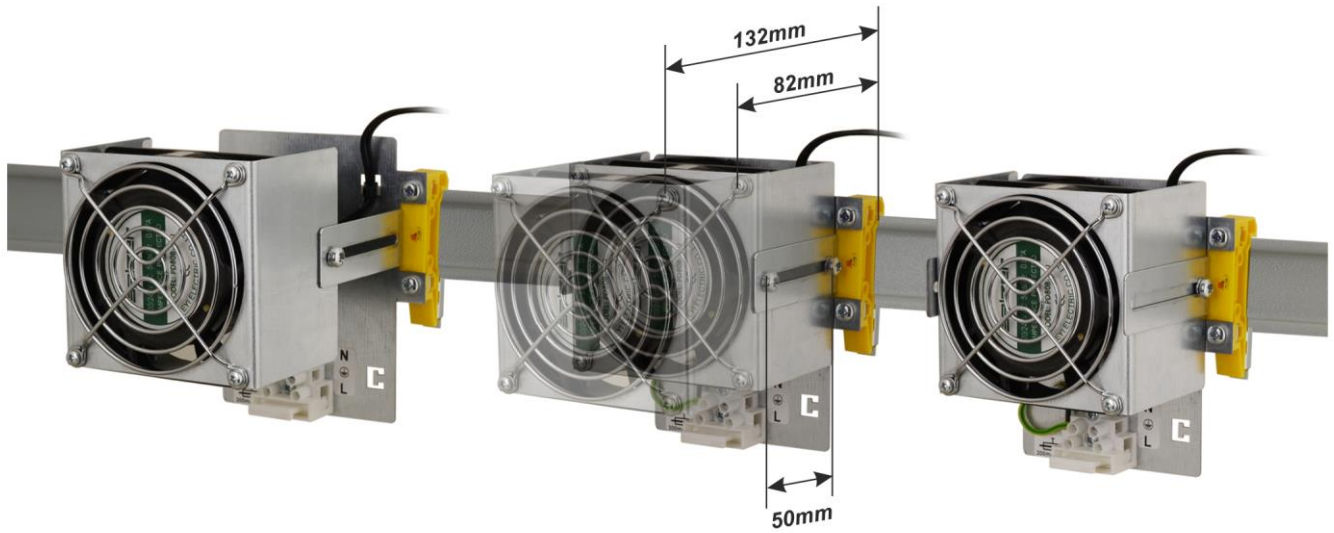


Fig1.



WARRANTY

Pulsar (the manufacturer) grants a two-year quality warranty for the equipment, starting from the production date.

MANUFACTURER

Pulsar
Siedlec 150,
32-744 Łapczyca
Phone (+48) 14-610-19-40, Fax (+48) 14-610-19-50
E-mail: biuro@pulsar.pl, sales@pulsar.pl
http:// www.pulsar.pl, www.zasilacze.pl